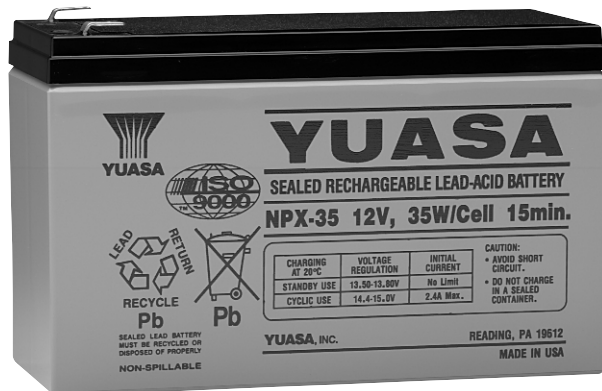


**Independence™****SEALED RECHARGEABLE LEAD-ACID****B A T T E R I E S**

**YUASA**  
 Power/Full Solutions™


# NPX-35

# NPX-35FR

## 12V, 35W/Cell-15 min

## Specifications

**NOMINAL VOLTAGE:** 12V

**NOMINAL WATTAGE/CELL**

 15 min. discharge rate to 1.67V/cell 35  
 10 min. discharge rate to 1.67V/cell 44  
 5 min. discharge rate to 1.67V/cell 68

**NOMINAL CAPACITY**

 10 hour rate of 0.8A to 10.5V 8.0Ah  
 5 hour rate of 1.5A to 10.2V 7.5Ah  
 1 hour rate of 6.0A to 9.6V 6.0Ah

**WEIGHT (approx.)** 6.24 pounds (2.83 kgs.)

**ENERGY DENSITY (10 hr. rate):**

1.70 WH/cubic inch (104 WH/liter)

**SPECIFIC ENERGY (10 hr. rate):**

15.4 WH/pound (33.9 WH/kg)

**INTERNAL RESISTANCE OF CHARGED BATTERY:**

14 milliohms (approx.)

**MAXIMUM DISCHARGE CURRENT WITH STANDARD TERMINALS:**

40 amperes

**MAXIMUM SHORT-DURATION DISCHARGE CURRENT:**

210 amperes

**OPERATING TEMPERATURE RANGE:**
**CHARGE** 5°F to 122°F  
 (-15°C to 50°C)

**DISCHARGE** -4°F to 140°F  
 (-20°C to 60°C)

**CHARGE RETENTION (shelf life) at 68°F (20°C):**

 1 month 97%  
 3 months 91%  
 6 months 85%

**LIFE EXPECTANCY:**
**STANDBY USE** 3 to 5 years

**CYCLE USE (approx.)**

 100% depth of discharge 250 cycles  
 50% depth of discharge 550 cycles  
 30% depth of discharge 1200 cycles

**SEALED CONSTRUCTION:**

Can be operated in any position without leakage.

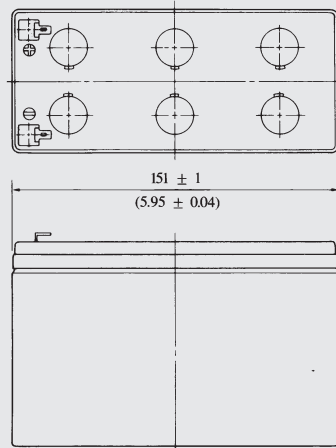
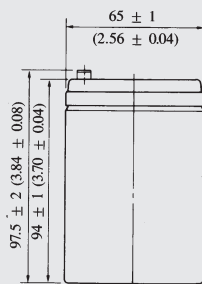
**STANDARD TERMINAL:**

Quick Disconnect .250 or optional .187

**HOUSING MATERIAL:** ABS Resin

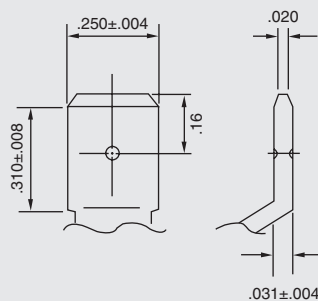
**OPTIONAL:** Container and cover made from Flame Retardant ABS (UL94-VO/L.O.I.>28%)

## Dimensions



DIMENSIONS: MM (INCHES)

## Terminal



INCH	=	MM
.310	=	7.90
.250	=	6.35
.16	=	4.0
.031	=	0.8
.020	=	0.5

DIMENSIONS: INCHES

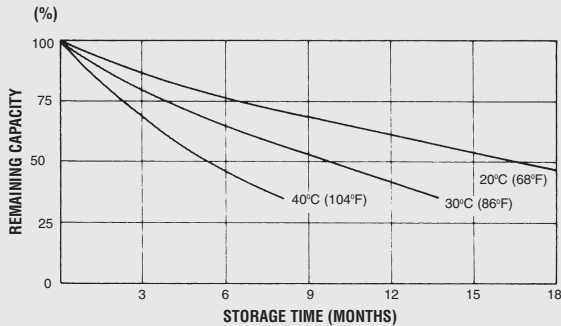


RECOGNIZED BY UL, File No. MH 16464

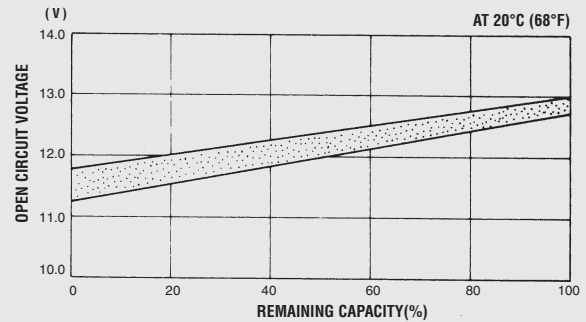
## NPX-35 CONSTANT WATTAGE - TYPICAL RUN TIMES (Watts/Cell)

V/CELL	5 min.	10 min.	15 min.	20 min.	30 min.	40 min.	50 min.	60 min.
1.75	66	42	33	26	20	16	13	12
1.70	67	43	34	27	21	17	14	12
1.67	68	44	35	28	21	17	14	12
1.60	70	46	36	29	22	18	15	12
1.50	71	47	38	31	23	19	15	12

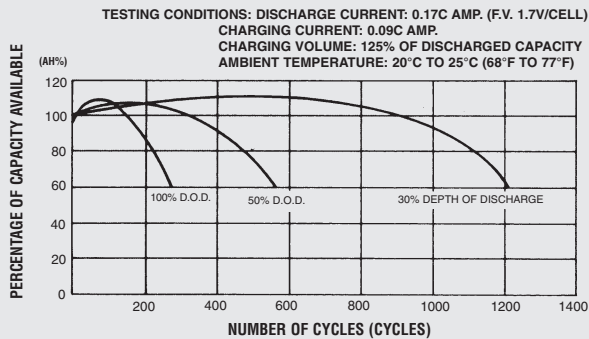
### SELF DISCHARGE CHARACTERISTICS



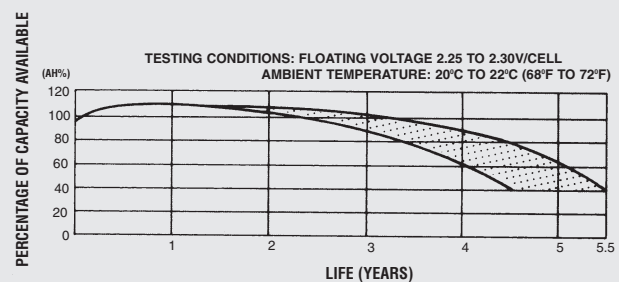
### OPEN CIRCUIT VOLTAGE VS REMAINING CAPACITY



### CYCLE SERVICE LIFE IN RELATION TO DEPTH OF DISCHARGE



### FLOAT SERVICE LIFE



When the battery will be used by the current in excess of 3C, consult with Yuasa, Inc. prior to use.

**CHARGING METHODS (At 20°C) Cycle use:** Maximum charging current 2.0A  
Charging voltage 14.4 to 15.0V

**Standby use:** Float charging voltage 13.50 to 13.80V

**CAUTION**

- Avoid short circuit
- Do not charge in a sealed container.

Represented by:



#### Sales Offices

Eastern Region: 201-964-0118 • 1-800-962-1287  
FAX 201-964-0720

Western Region: 562-949-4266 • 1-800-423-4667  
FAX 562-949-5527

Corporate Office: P.O. Box 14145, Reading, PA 19612-4145  
FAX 610-372-8613

Visit us on the web at: [www.yuasastationary.com](http://www.yuasastationary.com)

When ordering new batteries, also remember to properly recycle your old lead batteries. Federal and state regulations require lead-acid batteries be recycled. Yuasa's nationwide service organization can arrange pickup, transportation to and recycling at any one of our company affiliated smelters. Call 1-800-972-7372 for more information.

